

Pal Gate SG314GI-WR

Is a 4G network system for opening automatic gates, garage doors, electric locks and roadblocks via an application, dial in, secured remote control (transmitter) and Wiegand protocol. The system can be controlled from a web interface (optional), which enables complete and secure control of the unit such as:

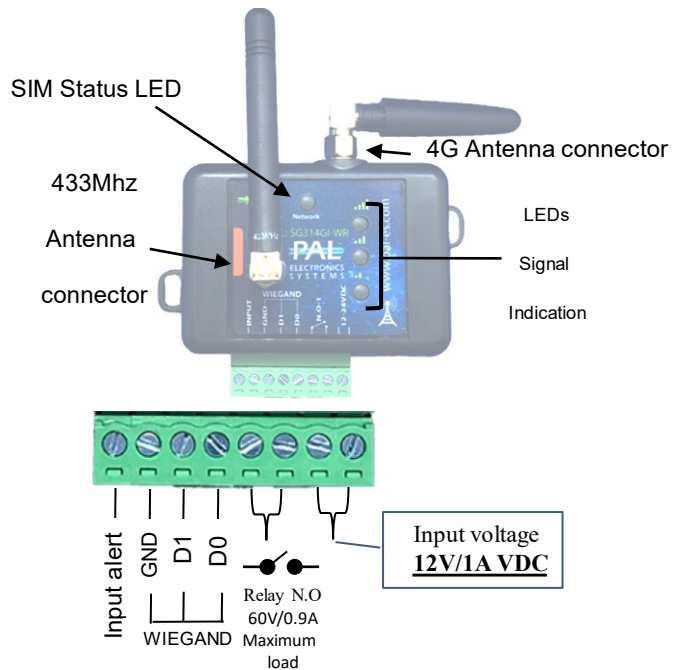
- Administrators set up.
- Add and remove users.
- Set up relay time.
- Gate interruption alerts.
- **Real time log reading on system usage.**
- There is unlimited number of managed systems.
- The unit includes one output – Relay N.O (60V/900mA)
- The unit includes one input alert– N.O
When a status change is made (N.O to N.C or opposite), email will sent to the unlimited requested destinations.
- You can set the time from the entry status change until the unit sends an alert.
- Setting an alert is made by Pal web interface.

System features and benefits :

- Internet interface management ability.
- Very small physical size 70X50 mm.
- 4 indicator LED lights (active SIM + 3 reception indicator)
- Multiple administrators and authorized users can be configured for optimal control.
- Supports Wiegand protocol

LEDs key

LEDs	Meaning
Fast flashing of the SIM light	System is booting
Slow flashing of the SIM light	Module is looking for a cellular network
2 blinks and break	connecting to the Internet process
Sim LED blinks 4 times	Connecting to the PAL interface
Sim LED blinks slow	Poor signal
Sim LED is stable	System ready
Signal light No. 1 is on	Low signal
Signal light No. 2 is on	Good signal
Signal light No. 3 is on	Very good signal



Setting up a remote control in the unit

The actions are carried out through an Internet interface, such as:

Insert remote control, delete remote control, setting groups, assigning days, selecting relay to open, and more - are carried out through the web interface only (for details, contact the installer).

System settings by the App :

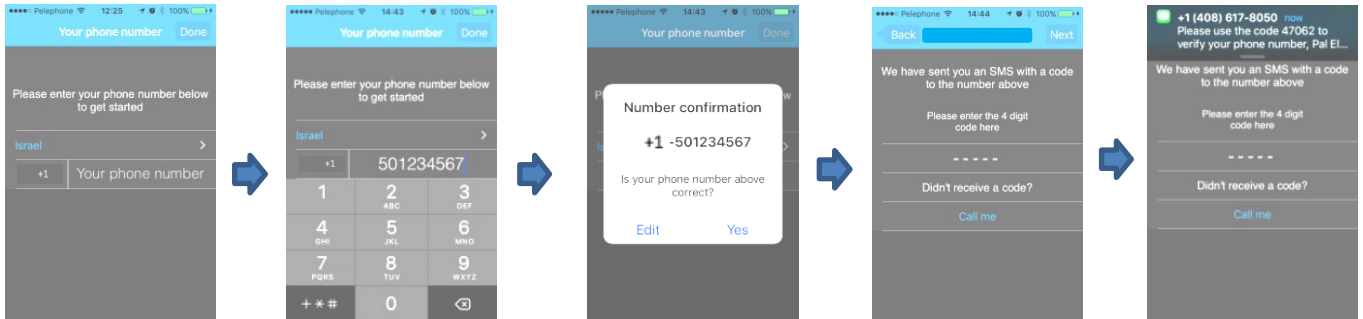
Primary Login:

This application must be first installed from the App Store / Google play by searching for the name PalGate or scan this QR Code for direct link.



Run the application and to act according to the instructions :

Installation:



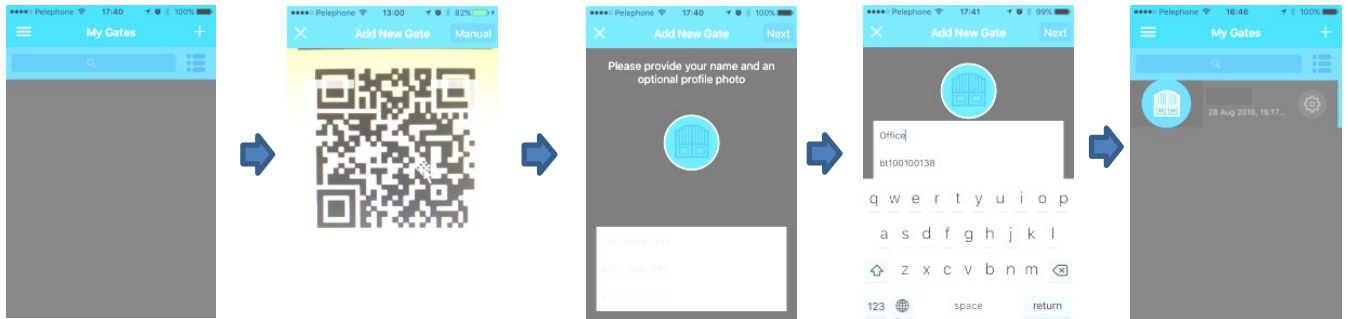
Add your cellophane number

Confirm your number

After adding the phone number wait for verification code

Add the verification code

Gate setting:



Click the + button to add Gate

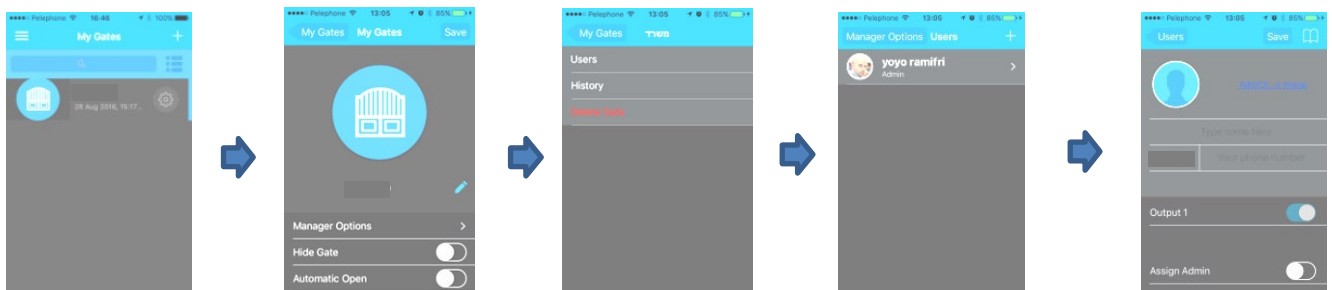
Scan barcode or add manually

Device details -Serial number and code are printed on the device and should be added accordingly

After adding the details click next

The gate will appear on my gates screen

Add User/s:



Gate Click on the Settings button

Click on manager options

Click on users

Click Add (+)

Add name or select from the contact list and save

Important Information:

- **Installation at the gate (inside each metal cabinet) must be installed when connected to an external antenna (an antenna outside the cabinet).**
- Requires stable power supply source preferably DC transformers.
- Avoid installation in metal boxes.
- Protect the unit from humidity and insect infiltration.
- The system works via a cellular network using 4G technology. In addition, the system's performance is dependent on the existence of coverage by the cellular network. Pal Electronics Systems Ltd. is not responsible for non-coverage of the cellular network. The customer is responsible for ensuring that there is cellular network reception using 4G technology.