

Pal Gate 3G-GB-WR

Is a 3G network system for opening automatic gates, garage doors, electric locks and roadblocks via an application and an Internet interface *, which enables complete and secure control of the unit such as:

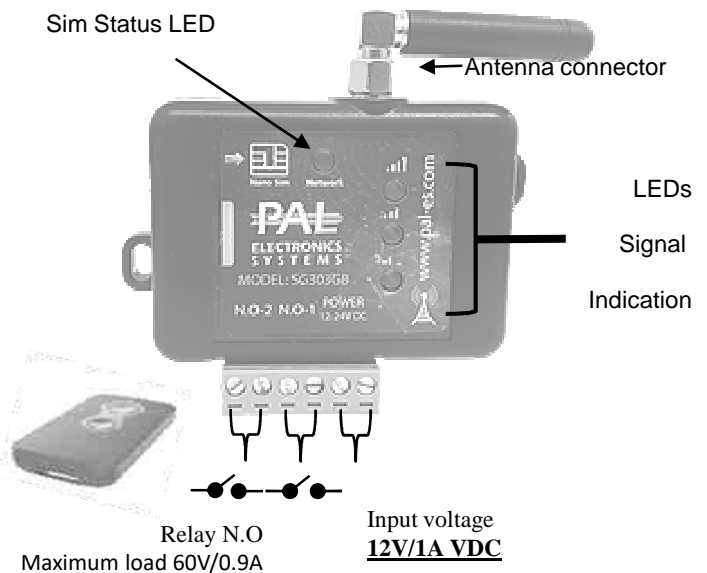
- Administrators set up.
- Add and remove users (unlimited**).
- Add up to 4000 remote control via the web interface.
- Set up relay time.
- **Real time log reading on system usage.**

System features and benefits :

- Internet interface management ability .*
- Very small physical size 70X50 mm.
- 4 indicator LED lights (active SIM + 3 reception indicator)
- Multiple administrators and authorized users can be configured for optimal control.
- There is no limit to the number of managed systems.
- *by Payment

LEDs key

LEDs	Meaning
Fast flashing of the SIM light	System is booting
Slow flashing of the SIM light	Module is looking for a cellular network
2 blinks and break	connecting to the Internet process
Four short flashing of the Sim	Connecting to the PAL interface
Sim is stable	System ready
Signal light No. 1 is on	Low signal
Signal light No. 2 is on	Good signal
Signal light No. 3 is on	Very good signal



Setting up a remote control in the unit

The actions are carried out via an Internet interface, such as:

Insert remote control, delete remote control, setting groups, assigning days, selecting relay to open, and more - are carried out via an Internet interface only (for details, contact the installer).

System settings by the app :

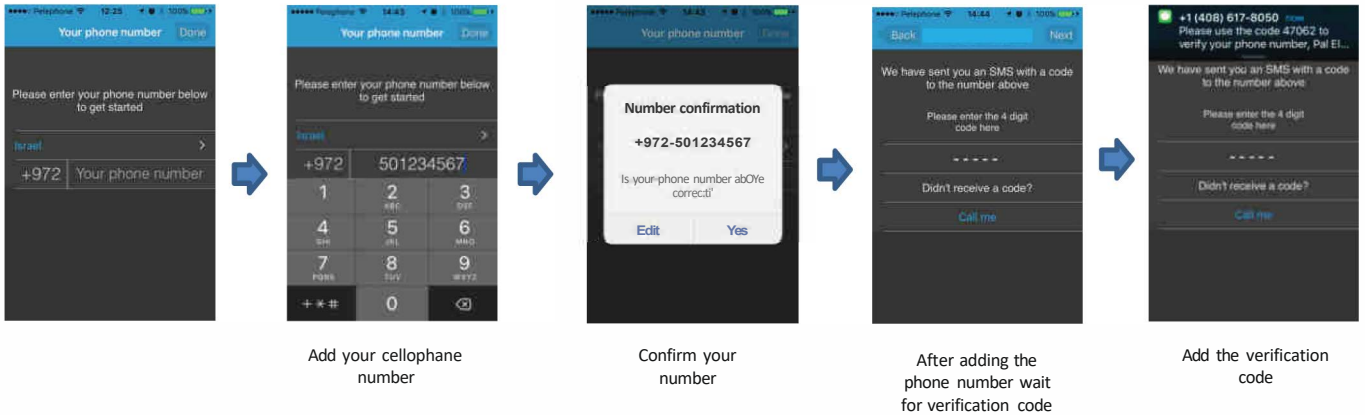
Primary Login:

This application must be first installed from the App Store / Google play by searching for the name PalGate or scan this QR Code for direct link.

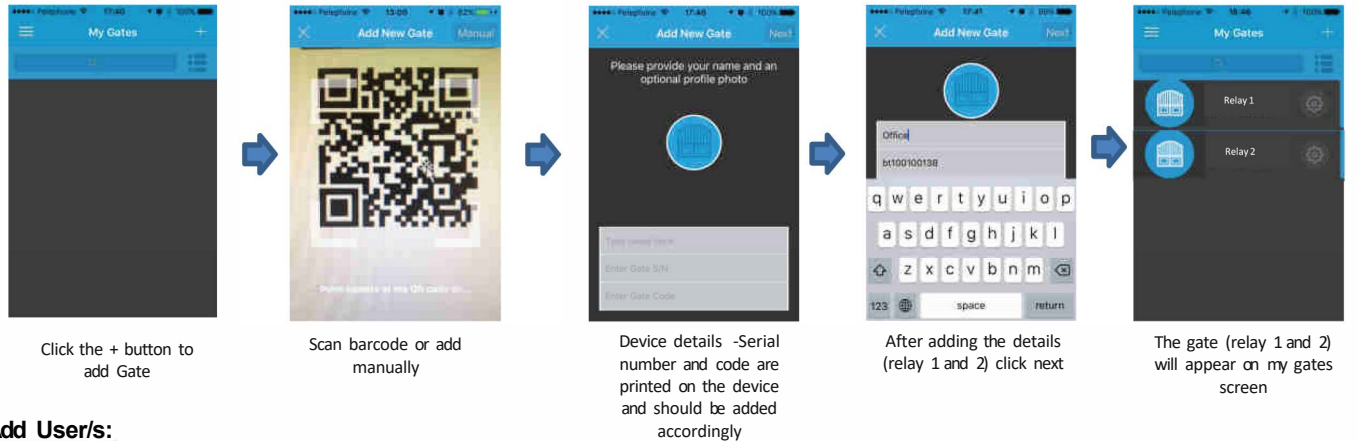


Run the application and to act according to the instructions :

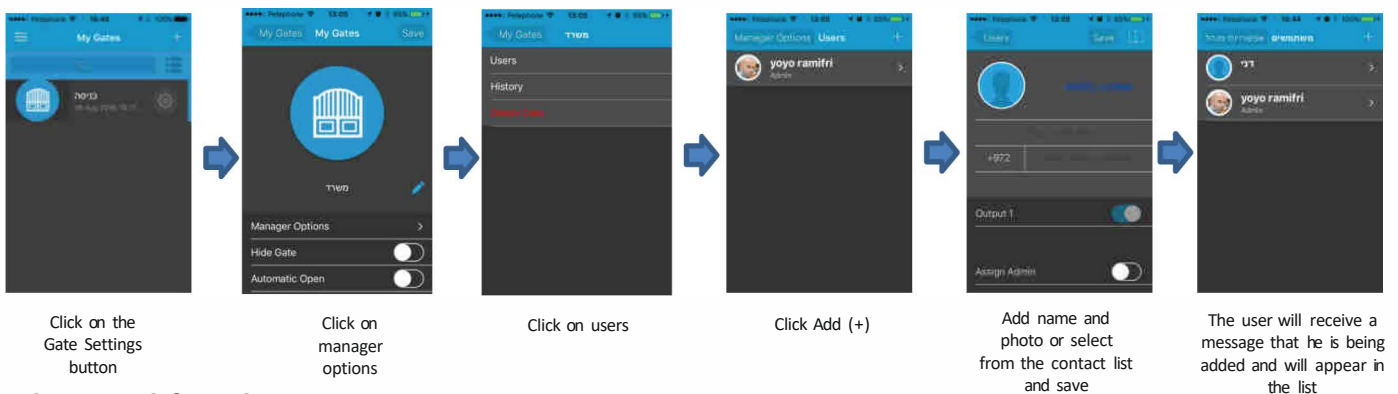
installation:



Gate setting:



Add User/s:



Important Information:

Installation at the gate (inside each metal cabinet) must be installed when connected to an external antenna (an antenna outside the cabinet).

Requires stable power supply source preferably DC transformers.

Avoid installation in metal boxes.

Protect the unit from humidity and insect infiltration.

The system works via a cellular network using 3G technology. In addition, the system's performance is dependent on the existence of coverage for a 3G service. Pal Electronics Systems Ltd. is not an end-user to cover the service of the cellular networks. The customer is responsible for ensuring that there is cellular network reception using 3G technology.